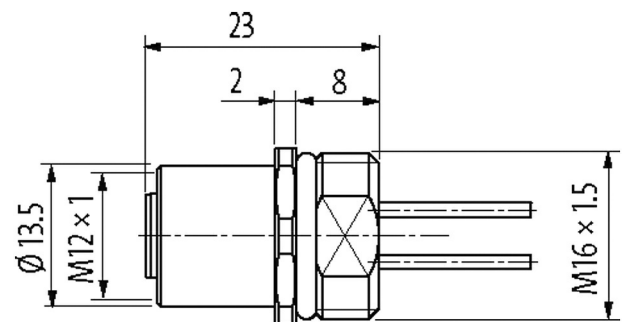
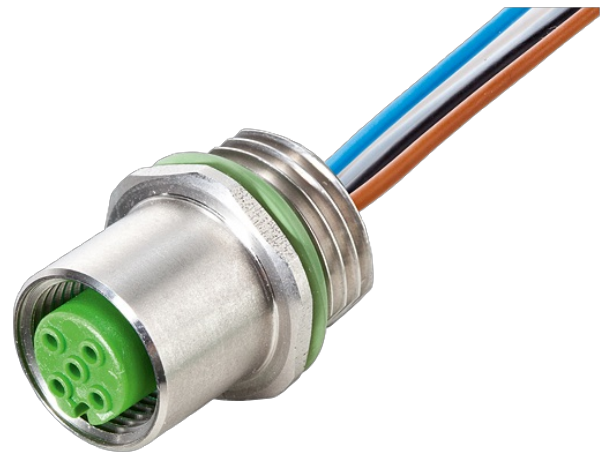


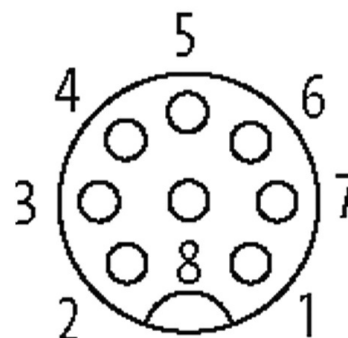
M12 FEMALE RECEPTACLE A CODED FRONT MOUNT V2A

PP-wires 8x0,25 1m

Flange female
M12, 8-pole
Front mounting
with multi-strand wire
Stainless steel 1.4305 (V2A)

[Link to Product](#)**Illustration**

Female



Product may differ from Image

Approvals



Form

Form 17181

General data

| | |
|----------------------------|--------------------------|
| Standards | DIN EN 61076-2-101 (M12) |
| Material (contact) | Copper alloy |
| Material (contact surface) | Au |
| Material (gasket) | FKM |
| Pollution Degree | 3 |
| Temperature range | -25...+85 °C |

Cables

| | |
|----------------------------|--------------------------------------|
| Cable number | 973 |
| No./diameter of wires | 8 × 0.25 mm ² |
| Wire isolation | PUR (wh, br, gn, ye, gr, pk, bl, rd) |
| Outer Ø | 1.25 mm ±5% |
| Bend radius (fixed) | 10 × outer Ø |
| Temperature range (fixed) | -40...+90 °C |
| Temperature range (mobile) | -25...+90 °C |

Technical Data

| | |
|-------------------------------|--|
| Operating voltage | max. 30 V AC/DC |
| Rated surge voltage | 0.8 kV |
| Operating current per contact | max. 2 A |
| No. of poles | 8 |
| Material group | IEC 60664-1, category I |
| Coding | A-coded |
| LED display | no |
| Locking of ports | Screw thread (M12×1 mm) recommended torque 0.6 Nm, self-securing |
| Compression gland | M12 (SW14) |
| Protection | IP67 inserted and tightened (EN 60529) |
| Protection NEMA | 3, 4, 6P (UL 50E) |
| Locking material | Stainless steel 1.4305 (V2A) |

Commercial data

| | |
|-----------------------|---------------|
| country of origin | DE |
| customs tariff number | 85444290 |
| EAN | 4048879326865 |
| eClass | 27279220 |
| Packaging unit | 1 |

Sketch

| | | |
|---|---|--------|
| 1 | ⌋ | white |
| 2 | ⌋ | brown |
| 3 | ⌋ | green |
| 4 | ⌋ | yellow |
| 5 | ⌋ | gray |
| 6 | ⌋ | pink |
| 7 | ⌋ | blue |
| 8 | ⌋ | red |

Product may differ from Image